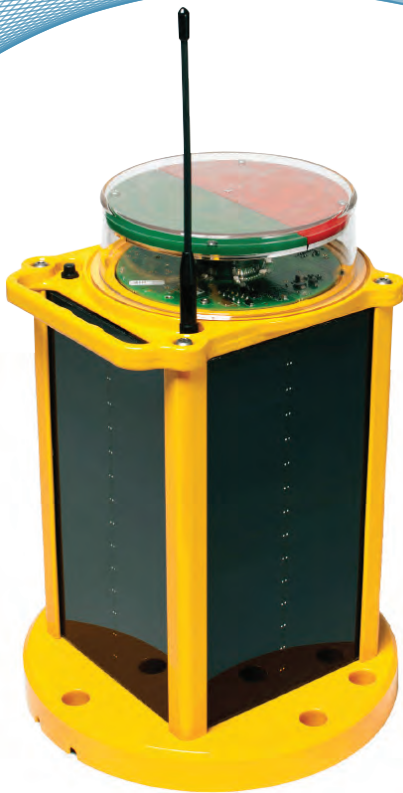


Solar LED Airfield Light

A704

SOLAR LIGHTS - 7.2



FEATURES

• **Advanced Design:**

- Improved optical efficiency with latest LEDs
- Up to 25% more power with high-efficiency solar panels
- Reduced standby power consumption
- Multiple solar engine sizes for best value-for-performance

• **Easy Installation:** Limited crew, no trenching, no airfield interruptions. Just place the A704 and it emits light dusk-to-dawn while maintaining its battery. Optional wireless control provides on-demand operation from up to 4 km (2.5 m) away.

• **Low Maintenance:** The A704 integrates solar panels, battery, electronics, and LED light source into a compact, stand-alone unit requiring minimal maintenance. The replaceable battery extends service life well beyond 5 years.

• **Reliable:** The Energy Management System (EMS) monitors all operations to provide consistent output in the harshest environments. Testing to ICAO, FAA and MIL specifications ensures high performance for many years.

• **Trusted:** With thousands of installations worldwide, solar LED lights operate year-round at permanent airfields and temporary military installations.

COMPLIANCES

- ICAO and FAA compliant
- Omni and bi-directional options
- Third party tested
- Proven technology platform
- Available in three solar engine sizes.

PRODUCT APPLICATION

Medium-intensity runway edge & threshold (MIRL)

High-intensity runway edge & threshold (HIRL)

Taxiway Lighting

NVG operations

Emergency airfields

Helipads

SOLAR LIGHTS - 7.2



GENESIS LAMP

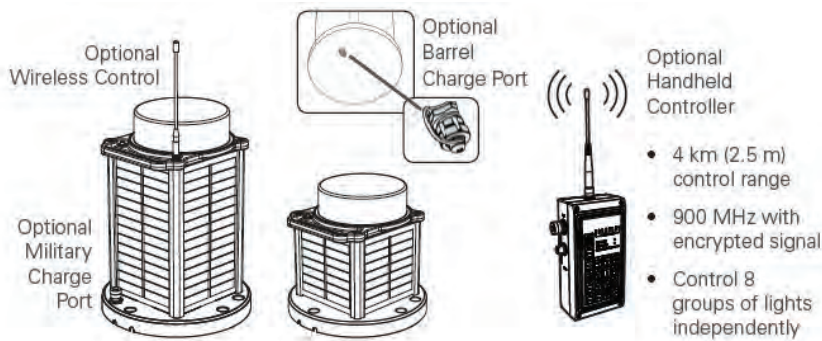
www.genesislamp.com

info@genesislamp.com

Toll Free: 800-685-5267

375 North St. Clair St.
Painesville, OH 44077

OPTIONS



SPECIFICATIONS

| | |
|--------------------------------|--|
| Optical | <ul style="list-style-type: none"> High-power LEDs meet IES LM-80 lumen maintenance, ensuring consistent photometrics for life of product ICAO, SAE25050 (FAA), and FAA EB 67 compliant chromaticity NVG-compatible infrared (IR) LEDs Steady-on and flash |
| Energy Collection | <ul style="list-style-type: none"> High-efficiency cells with blocking diodes Maximum power point tracking with temperature compensation (MPPT-TC) for optimal energy collection in all solar conditions |
| Energy Storage | <ul style="list-style-type: none"> Pure-lead VRLA AGM battery with manufacturer operating range -65 to 80 °C (-85 to 176 °F) On-board battery status Designed for 5+ year battery life; Replaceable and recyclable Optional port for battery charging and cabled operation |
| Energy Management System (EMS) | <ul style="list-style-type: none"> Intelligent, microprocessor EMS On-board diagnostics and data logger Push button interface for local control Autonomous, Temporary, and Emergency Modes |
| Automatic Light Control (ALC) | ALC adjusts output intensity in response to unusually low amounts of sunlight to ensure continued operation |
| Construction | <ul style="list-style-type: none"> Premium, UV-resistant polycarbonate lens Powder-coated aluminum and polycarbonate chassis with integrated handle Waterproof, vented battery compartment |
| Temperature | <ul style="list-style-type: none"> -30 to 50 °C (-22 to 122 °F) Optimal -40 to 80 °C (-40 to 176 °F) Maximum |
| Wind & Ice Loading | 644 km/h (400 MPH) wind; 0.03 psi (22 kg/m ²) ice |
| Shock & Vibration | MIL-STD-202G and MIL-STD-810G |
| Ingress | <ul style="list-style-type: none"> EN 60529 IP 67 immersion MIL-STD-202G immersion & damp heat cycling MIL-STD-810G rain & salt fog |
| Compliance | CE compliant (non-wireless model only) |

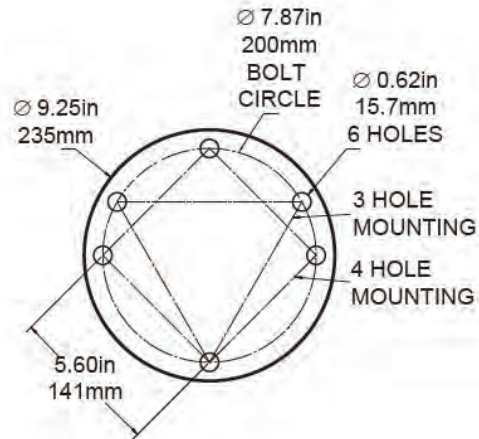
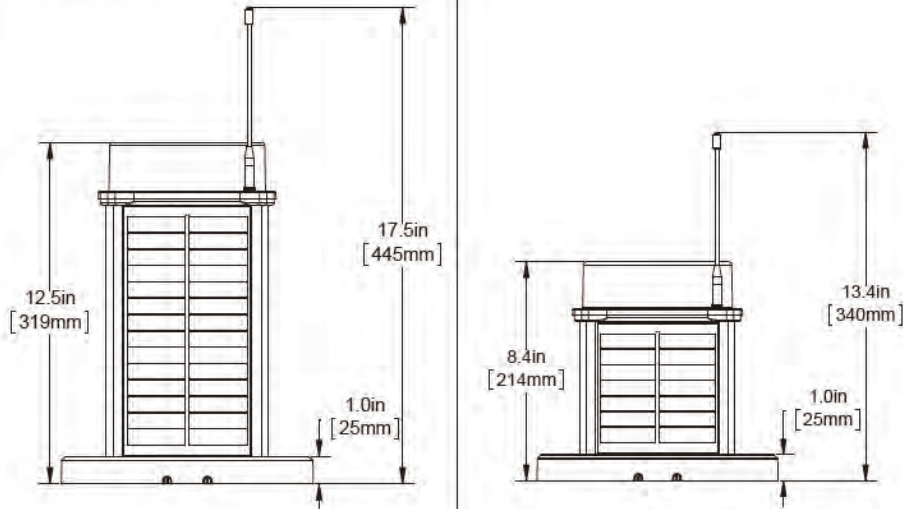


GENESIS LAMP

www.genesislamp.com
info@genesislamp.com
Toll Free: 800-685-5267

DIMENSIONS AND WEIGHTS

| STANDARD | | COMPACT | |
|-----------------|-----------------|---------------|----------------|
| Weight | 6.7 kg (15 lb) | Weight | 4.9 kg (11 lb) |
| Battery (96E) | 4.2V, 24 Ahr | Battery (60X) | 4.2V, 15 Ahr |
| LARGE | | | |
| Weight | 10.5 kg (23 lb) | | |
| Battery (200BC) | 4.2V, 50 Ahr | | |



CONFIGURATION

| MODEL | OUTPUT | SOLAR ENGINE | CHASSIS | CONTROL | CHARGE PORT |
|-------|---|------------------------------|----------------------|--------------------------|--|
| A650 | WHITE / IR WHITE / YELLOW / IR RED / GREEN / IR BLUE / IR GREEN / IR YELLOW / IR RED / IR | COMPACT STANDARD LARGE | YELLOW OLIVE DRAB | NON-WIRELESS WIRELESS | NONE CHARGE PORT MILITARY CHARGE PORT |



THIRD PARTY VALIDATION: PHOTOMETRIC COMPLIANCE

Refer to table below for additional details

¹ ICAO MIRL (Annex 14, Vol.1, 5.3.9.9)
FAA L-861 MIRL (AC 150/5345-46, EB67)
FAA L-862 HIRL (AC 150/5345-46, EB67), step 3 of 5
Transport Canada MIRL (TP-312, 5.3.10.13)

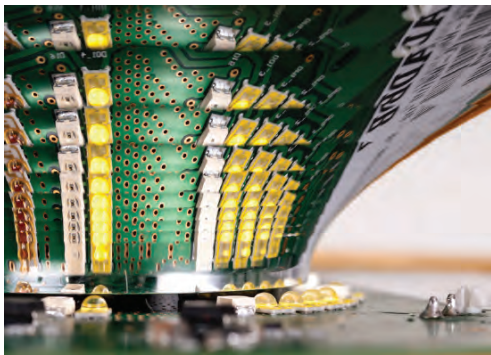
³ ICAO Type A (Annex 14, Vol. 1, 6-3)
ICAO Type B (Annex 14, Vol. 1, 6-3)
FAA L-810 (AC 150/5345-43, EB67)

² FAA L-861E & L-861SE MIRL (AC 150/5345-46, EB67)
FAA L-862E HIRL (AC 150/5345-46, EB67), step 3 of 5

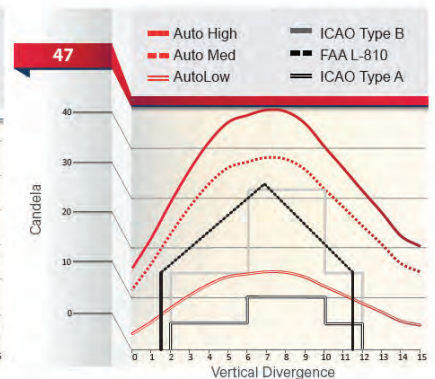
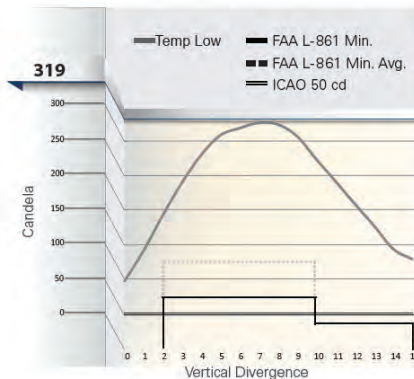
⁴ FAA L-810 vertical divergence; 850
- 890 nm peak

PEAK INTENSITY

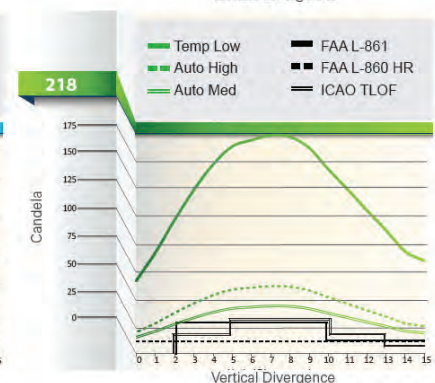
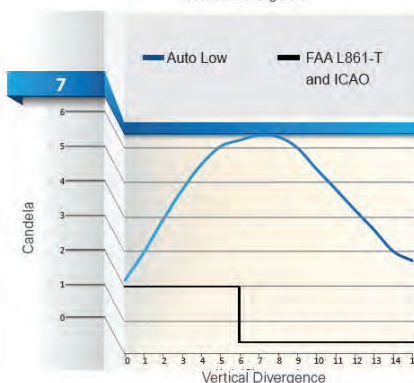
| | Auto Low (cd) | | Auto Medium (cd) | | Auto High (cd) | | Temp Low (cd) | | Temp Medium (cd) | | Temp High (cd) | |
|---|-------------------|----|-----------------------|----|-------------------|----|--------------------|-----|------------------------|-----|------------------------|-----|
| Runway Edge, Approach, Helipad, FATO ¹ | STEP 1 MIRL 19 | | STEP 1 MIRL+ 46 | | STEP 2 MIRL 76 | | STEP 3 MIRL 319 | | STEP 2 HIRL 446 446 | | STEP 3 HIRL 578 578 | |
| Runway Edge Caution | 19 | 17 | 46 | 42 | 76 | 68 | 175 | 158 | 181 | 163 | 578 | 520 |
| Runway Edge Threshold ² | 33 | 14 | 82 | 14 | 130 | 14 | 304 | 18 | 371 | 142 | 567 | 142 |
| Taxiway and Apron Edge | ICAO/FAA 7 | | L-860E/HR, TLOF 12 | | L-861 FATO 18 | | ICAO/FAA + 62 | | 78 | | 107 | |
| Helipad TLOF & FATO | 26 | | 44 | | 66 | | 218 | | 258 | | 323 | |
| Helipad TLOF & FATO | 22 | | 36 | | 56 | | 190 | | 235 | | 315 | |
| Obstruction ³ | ICAO TYPE A 15 | | FAA L-810 37 | | ICAO TYPE B 47 | | ICAO TYPE A 15 | | FAA L-810 37 | | ICAO TYPE B 47 | |
| NVG Operations (mW/sr) ⁴ | 16 | | 34 | | 80 | | 16 | | 34 | | 80 | |



A704 Lens Design



A704 Standard/Large & Compact Models



Specifications subject to local environmental conditions.

Actual product specifications may have changed since the printing of this brochure.
Brochure specifications are not binding. Confirm current specifications at time of order.

ACCESSORIES

The A704 Series Airfield Lights come with a range of accessories including durable mounting hardware, frangible couplings and a selection of replacement parts.

MOUNTING HARDWARE

| REF. | PART NO. | DESCRIPTION |
|------|----------|--|
| 1 | 64559 | 16 x 16" rubber mat and hardware |
| 2A | 71757 | Standard bolt kit, 700 series (4x stainless steel bolts) |
| 2B | 71884 | Security bolt kit, 700 series (2x bolts, not including keys) |
| - | 53288 | Security bolt kit, bolt key/driver bit |
| - | 53289 | Security bolt kit, nut key/driver bit |
| 3A | 65714 | Standard mounting plate (18" installed height) |
| 3B | 65717 | Extended mounting plate (26" installed height) |
| - | 74239 | Helipad mounting bracket |
| 4 | 65711 | Frangible coupling, 1.5" pipe x 2 thread |
| 5 | 50144 | Floor flange, 2" thread |
| 6 | 46397 | Anchor bolt kit |
| 7A | 38925 | 2" hub stake - 15" long |
| 7B | 38964 | 2" hub stake - 30" long |
| - | Inquire | Grass guard kit |

BATTERY/CHARGER

| REF. | PART NO. | DESCRIPTION |
|------|----------|--|
| - | 72890 | Battery kit, A704 Compact |
| - | 72891 | Battery kit, A704 Standard |
| - | 72892 | Battery kit, A704 Large |
| - | 74314 | Battery charger, A704 with military charge port, 100-240 VAC, 50/60 Hz |
| - | 69885 | Battery charger, A704 battery pack and barrel charge port, 100-240 VAC, 50/60 Hz |

OPTICS

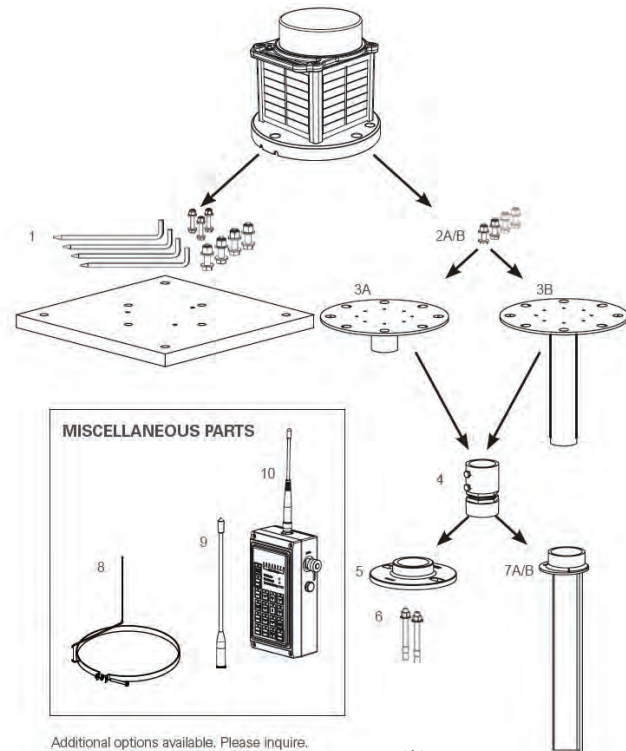
| REF. | PART NO. | DESCRIPTION |
|------|----------|--|
| - | 74690 | Optical shield, 180 degree, several models |
| - | Inquire | Head kit, several models |

MISCELLANEOUS PARTS

| REF. | PART NO. | DESCRIPTION |
|------|----------|---|
| 8 | 40865 | A704 series bird deterrent |
| 9 | 56150 | Replacement antenna |
| 10 | 48473 | Handheld Controller |
| - | 48984 | Installation tool kit with 5/32" security bit for head/battery changes and small socket set |



A704 SERIES MOUNTING HARDWARE OPTIONS



Additional options available. Please inquire.

