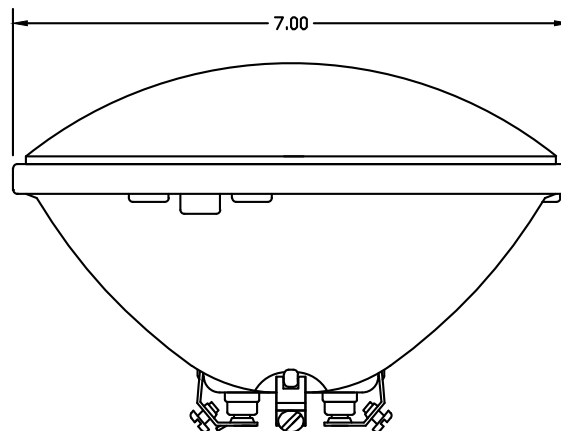


GN 34 FT PAR Lamp

Airport Lighting



Description

This is a FAA approved airport lighting xenon flashlamp in a Par 56 with a clear front lens. It is a 3 screw lug terminal design that operates at 2000 volts anode and 60 watts per flash at 2 flashes per second. OAL is 5" and OD is 7". Trigger voltage is 15-18 KV. Life is 4 million flashes

Usage

This lamp is used for these systems: ALSE2/ SSALR, FA-10048, FA-9994, FA9877 FA9425,26 REIL, FA-9437 MALS/ MALSR, FA-10097, 98, FA9629, 30: REIL: FA10229, FA-10096, 124, 125, FA-9628

Specifications

Part Number: GN 34 FT
Item No. AL-006-0041
Watts 120
2000 volts anode and 60 watts per flash
Life 4 million Flashes



Genesis Lamp Corp. • 375 North St. Clair St. • Painesville, OH 44077
440-354-0095 • Toll Free: 800-685-5267 • Fax: 440-354-0624
www.genesislamp.com • email: info@genesislamp.com